

Product availability: Non-Stock - Not normally stocked in distribution facility



### Main

|                              |  |
|------------------------------|--|
| Range of Product             | Modicon STB distributed I/O solution   |
| Product or Component Type    | Standard digital output kit  |
| Kit composition              | STBXTS2100, 6-terminal spring clamp connector<br>STBXBA1000 base<br>STBDDO3200 module<br>STBXTS1100, 6-terminal screw type connector |
| Discrete output number       | 2  |
| Discrete output type         | Solid state  |
| Discrete output voltage      | 24 V   |
| Discrete output voltage type | DC   |

### Complementary

|   |   |
|---|---|
| Discrete output current                   | 500 mA  |
| Discrete output logic                     | Positive or negative  |
| Output voltage                            | 19.2...30 V DC  |
| Absolute maximum voltage                  | 56 V 1.3 ms   |
| Response Time                             | 575 µs on-to-off<br>620 µs off-to-on  |
| Cold swapping                             | Yes   |
| Hot swapping fallback                     | Yes for standard NIMs   |
| Fallback status                           | State 0 basic NIMs<br>User configurable standard NIMs   |
| Protection type                           | Power protection integrated fuse on PDM time lag 10 A<br>Reverse polarity protection<br>Short-circuit protection<br>Thermal overload protection |
| Insulation between channels and logic bus | 1500 V for 1 minute   |
| Maximum leakage current                   | 0.4 MA at state 0 30 V  |
| Surge current                             | 5 A 0.5 ms  |
| Maximum load capacitance                  | 50 MF   |
| Maximum load inductance                   | 500 MH 4 Hz   |
| Minimum load                              | 0.5 MA  |

|                           |   |
|---------------------------|---|
| Reset                     | Manual or automatic reset COM fault   |
| Product Compatibility     | I/O base STBXBA1000<br>Power distribution module STBPDT3100/3105  |
| [Us] rated supply voltage | 24 V DC   |
| Supply                    | Power distribution module   |
| Current consumption       | 50 mA at 5 V DC for logic bus   |
| Marking                   | CE  |
| Overvoltage category      | II  |
| Status LED                | Module status (RDY) 1 LED Green)<br>Channel status (OUT1 to OUT2) 1 LED per channel Green)<br>Module error (ERR) 1 LED Red) |
| Maximum Height            | 0.55 In (13.9 mm)   |
| Maximum Depth             | 2.76 In (70 mm)   |
| Maximum Width             | 5.05 In (128.3 mm)  |
| Net Weight                | 0.25 Lb(US) (0.112 kg)  |

## Environment

|                                       |  |
|---------------------------------------|--|
| Standards                             | EN/IEC 61131-2   |
| Product Certifications                | CSA<br>UL<br>FM Class 1 Division 2   |
| Pollution degree                      | 2 IEC 60664-1  |
| Operating altitude                    | <= 6561.68 ft (2000 m)   |
| IP degree of protection               | IP20 conforming to EN 61131-2 class 1  |
| Ambient air temperature for operation | 32...140 °F (0...60 °C) without derating)  |
| Ambient air temperature for operation | 32...140 °F without derating   |
| Ambient air temperature for storage   | -40...185 °F (-40...85 °C) without derating  |
| Ambient air temperature for storage   | -40...185 °F without derating  |
| Relative humidity                     | 95 % 140 °F (60 °C) without condensation   |
| Vibration resistance                  | 3 gn 58...150 Hz 35 x 7.5 mm symmetrical DIN rail<br>5 gn 58...150 Hz 35 x 15 mm symmetrical DIN rail<br>+/-0.35 mm 10...58 Hz |
| Shock resistance                      | 30 gn 11 ms IEC 88 reference 2-27  |

## Ordering and shipping details

|                       |                          |
|-----------------------|--------------------------|
| Category              | 18215 - ADVANTYS STB I/O |
| Discount Schedule     | PC32                     |
| GTIN                  | 03595864000329           |
| Nbr. of units in pkg. | 1                        |
| Package weight(Lbs)   | 4.62 Oz (131 g)          |
| Returnability         | No                       |
| Country of origin     | ID                       |

## Packing Units

|                        |                  |
|------------------------|------------------|
| Unit Type of Package 1 | PCE              |
| Package 1 Height       | 1.06 In (2.7 cm) |
| Package 1 width        | 3.15 In (8 cm)   |
| Package 1 Length       | 5.12 In (13 cm)  |

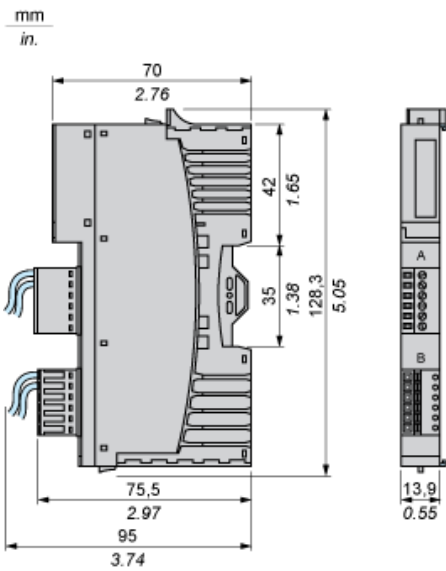
## Offer Sustainability

|                            |   |
|----------------------------|---|
| Sustainable offer status   | Green Premium product   |
| California proposition 65  | WARNING: This product can expose you to chemicals including: Lead and lead compounds, which is known to the State of California to cause cancer and birth defects or other reproductive harm. For more information go to <a href="http://www.P65Warnings.ca.gov">www.P65Warnings.ca.gov</a> |
| REACH Regulation           | <a href="#">REACH Declaration</a>   |
| EU RoHS Directive          | Pro-active compliance (Product out of EU RoHS legal scope) <a href="#">EU RoHS Declaration</a>  |
| Mercury free               | Yes   |
| RoHS exemption information | <a href="#">Yes</a>   |
| China RoHS Regulation      | <a href="#">China RoHS Declaration</a>  |
| Environmental Disclosure   | <a href="#">Product Environmental Profile</a>   |
| Circularity Profile        | <a href="#">End Of Life Information</a>   |
| WEEE                       | The product must be disposed on European Union markets following specific waste collection and never end up in rubbish bins.  |

## Contractual warranty

|          |           |
|----------|-----------|
| Warranty | 18 months |
|----------|-----------|

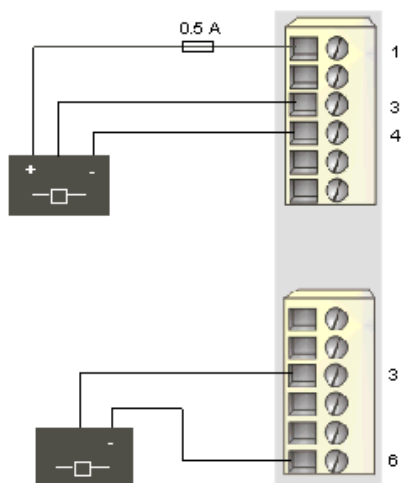
Dimensions



Wiring Diagram

Example

1 three-wire sensor and 1two-wire sensor



| Pin | Top Connector  | Bottom Connector                                       |
|-----|--|--|
| 1   | +24 VDC from actuator bus for field device accessories | +24 VDC from actuator bus for field device accessories |
| 2   | +24 VDC from actuator bus for field device accessories | +24 VDC from actuator bus for field device accessories |
| 3   | output to actuator 1                                   | output to actuator 2                                   |
| 4   | field power return                                     | field power return                                     |
| 5   | field power return                                     | field power return                                     |
| 6   | field power return                                     | field power return                                     |

Product Life Status : **Commercialised**